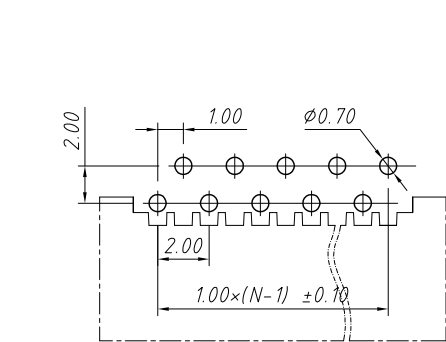
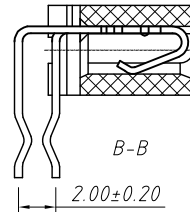
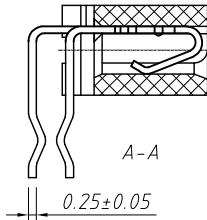
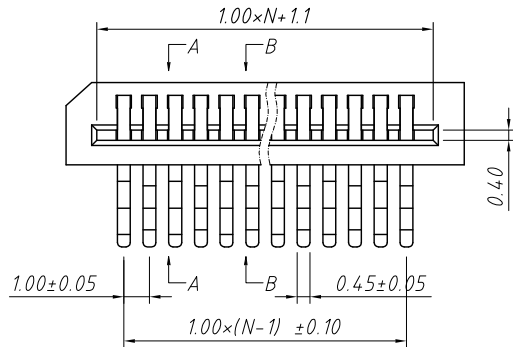
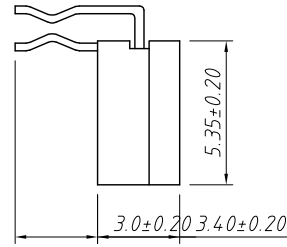
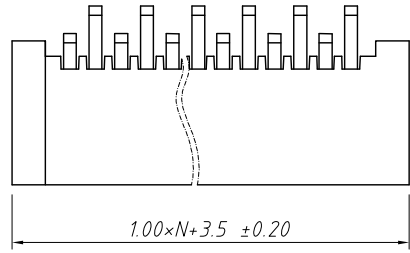
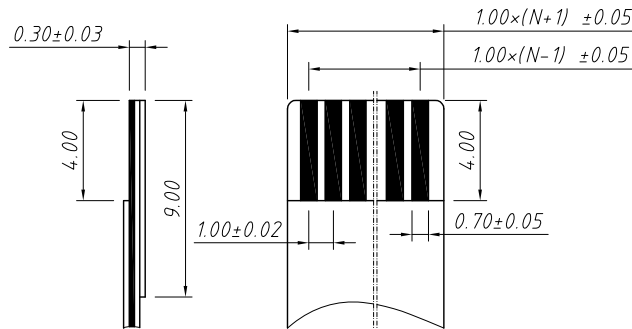


RoHS Compliant



PCB LAYOUT



Proper Cable

Material
Housing: LCP UL94V-0
Contact: Phosphor Bronze, Tin Plated

Electrical
Voltage rating: 50 V
Current rating: 0.5 A
Withstand Voltage: 500 V
Insulation resistance: 500M Ω .Min.
Contact resistance: 30 m Ω .max.

Mechanical
Temp. Range: -25 °C ~ + 85 °C

Order Information

L-KLS1- 240 - XX -R-P-T

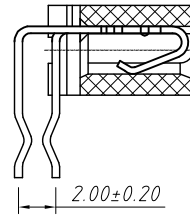
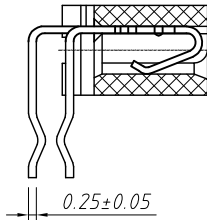
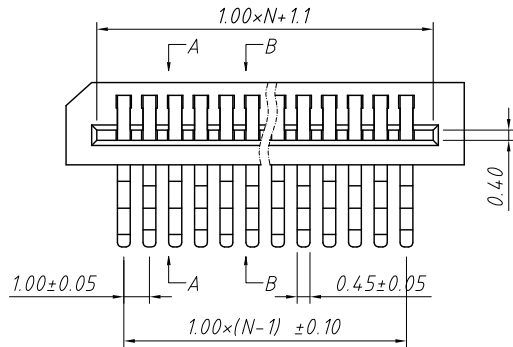
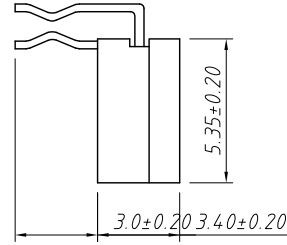
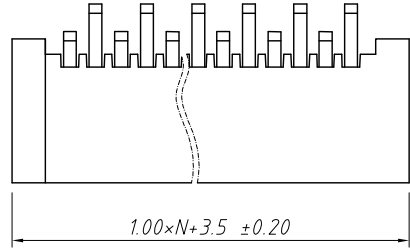
RoHS —
Series No. —
No. of pins(04 ~ 30 pins) —
R-Right Angle Pin —
P-Positive needle —
Packing: T-Tube —

GENERAL TOLERANCE	ANGLE TOLERANCE	PROJECTION	Description:
X. ±0.15	X. ±5°	UNITS	CONN FFC 1.00mm,Positive needle,THR, 90°
.X ±0.03	.X ±3°	SHEET SIZE	
.XX ±0.05	.XX ±2°	KLS P/N:	

Draw by: Date	2018-03-10
Check by: Date	2018-03-10
SCALE	SHEET OF

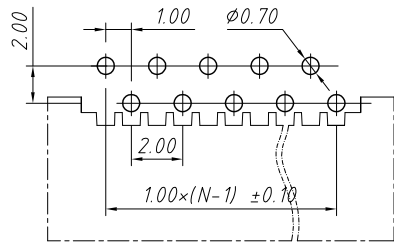
KLS NingBo KLS ELECTRONIC CO.,LTD.

RoHS Compliant

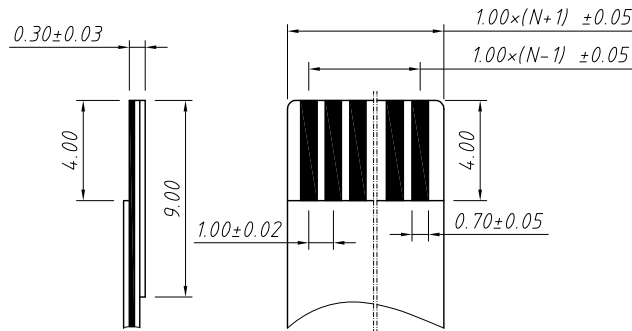


B-B

A-A



PCB LAYOUT



Proper Cable

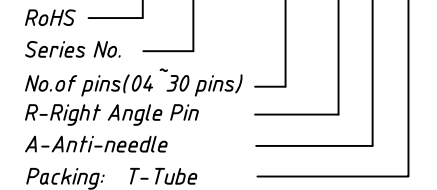
Material
 Housing: LCP UL94V-0
 Contact: Phosphor Bronze, Tin Plated

Electrical
 Voltage rating: 50 V
 Current rating: 0.5 A
 Withstand Voltage: 500 V
 Insulation resistance: 500MΩ.Min.
 Contact resistance: 30 mΩ.max.

Mechanical
 Temp. Range: -25 °C ~ +85 °C

Order Information

L-KLS1- 240 - XX -R-A-T



GENERAL TOLERANCE	ANGLE TOLERANCE	PROJECTION	Description:
X. ±0.15	X. ±5°	UNITS	CONN FFC 1.00mm, Anti-needle, THR, 90° L-KLS1-240-XX-R-A-T
.X ±0.03	.X ±3°	SHEET SIZE	
.XX ±0.05	.XX ±2°	KLS P/N:	

Draw by: Date 2018-03-10

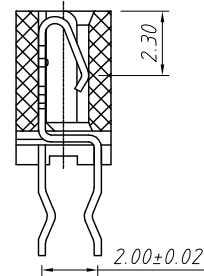
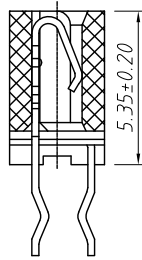
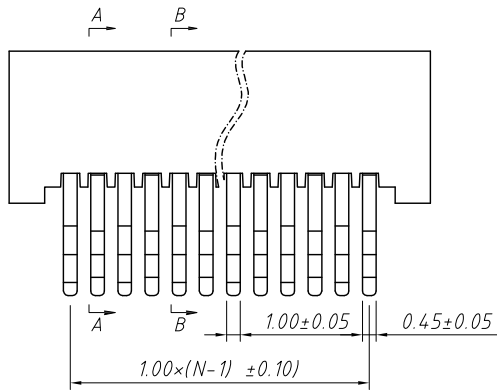
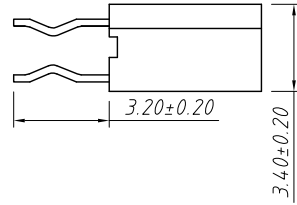
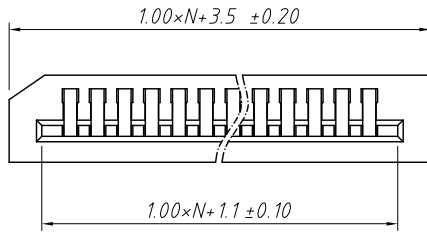
Check by: Date 2018-03-10

SCALE SHEET OF



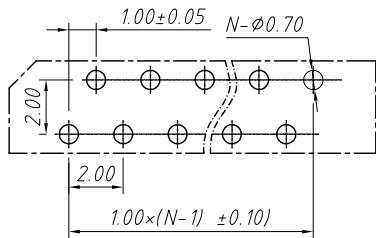
NingBo KLS ELECTRONIC CO.,LTD.

RoHS Compliant

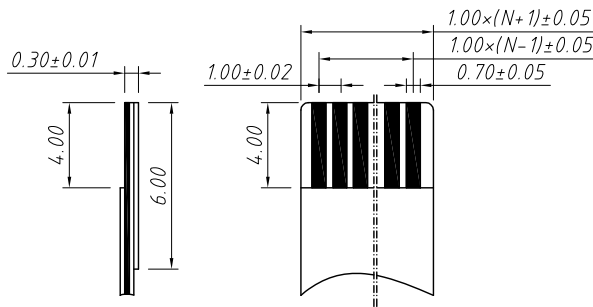


A-A

B-B



PCB Layout



Proper Cable

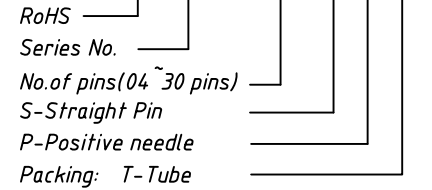
Material
Housing: LCP UL94V-0
Contact: Phosphor Bronze, Tin Plated

Electrical
Voltage rating: 50 V
Current rating: 0.5 A
Withstand Voltage: 500 V
Insulation resistance: 500MΩ.Min.
Contact resistance: 30 mΩ.max.

Mechanical
Temp. Range: -25 °C ~ + 85 °C

Order Information

L-KLS1- 240 - XX -S-P-T



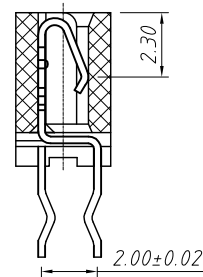
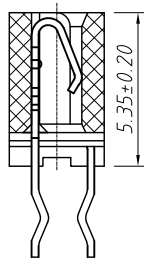
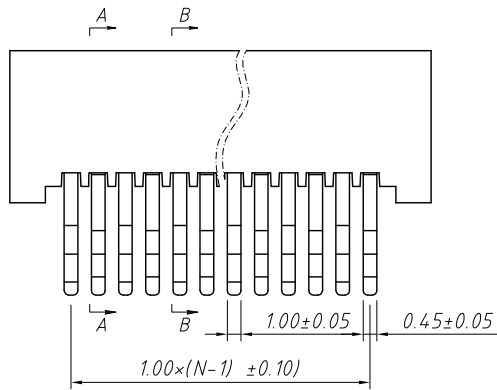
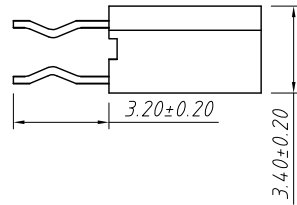
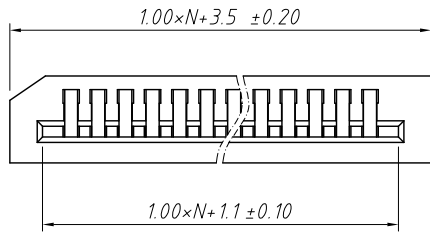
GENERAL TOLERANCE	ANGLE TOLERANCE	PROJECTION	Description:
X. ±0.15	X. ±5°	UNITS	CONN FFC 1.00mm, Positive needle, THR, 180°
.X ±0.03	.X ±3°	SHEET SIZE	
.XX ±0.05	.XX ±2°	KLS P/N:	

Draw by: Date	2018-03-10
Check by: Date	2018-03-10
SCALE	SHEET OF



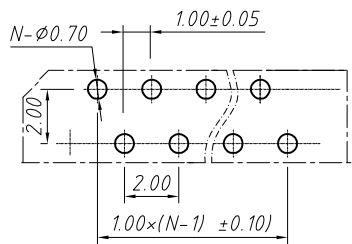
NingBo KLS ELECTRONIC CO.,LTD.

RoHS Compliant

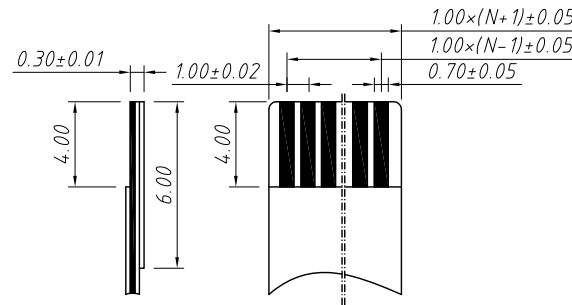


B-B

A-A



PCB Layout



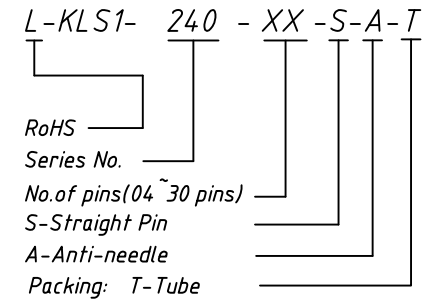
Proper Cable

Material
Housing: LCP UL94V-0
Contact: Phosphor Bronze, Tin Plated

Electrical
Voltage rating: 50 V
Current rating: 0.5 A
Withstand Voltage: 500 V
Insulation resistance: 500M Ω .Min.
Contact resistance: 30 m Ω .max.

Mechanical
Temp. Range: -25 °C ~ + 85 °C

Order Information



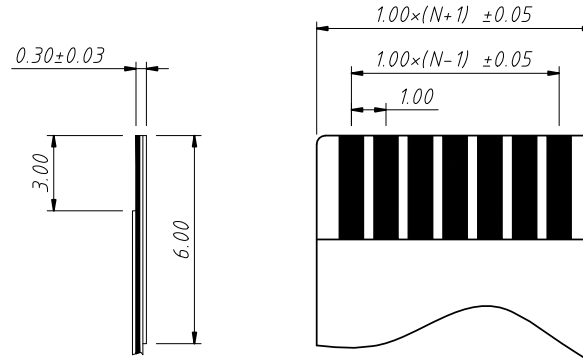
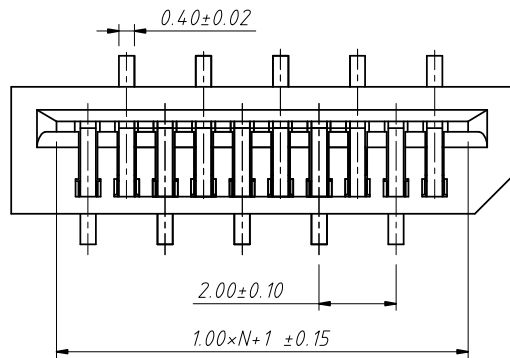
GENERAL TOLERANCE	ANGLE TOLERANCE	PROJECTION	Description:
X. ± 0.15	X. $\pm 5^\circ$	UNITS	CONN FFC 1.00mm, Anti-needle, THR, 180°
.X ± 0.03	.X $\pm 3^\circ$	SHEET SIZE	
.XX ± 0.05	.XX $\pm 2^\circ$	KLS P/N:	

Draw by: Date	2018-03-10
Check by: Date	2018-03-10
SCALE	SHEET OF



NingBo KLS ELECTRONIC CO.,LTD.

RoHS Compliant

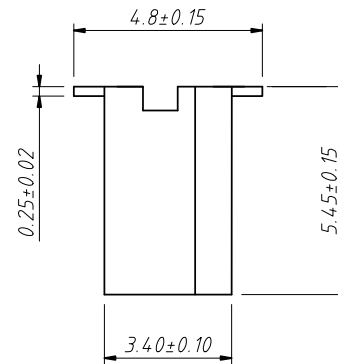
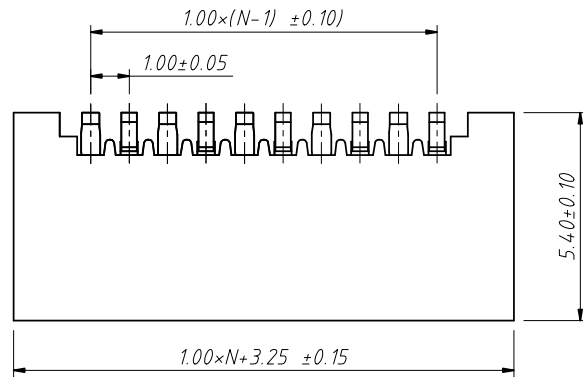


Material
 Housing: LCP UL94V-0
 Contact: Phosphor Bronze, Tin Plated

Electrical
 Voltage rating: 50 V
 Current rating: 0.5 A
 Withstand Voltage: 500 V
 Insulation resistance: 500M Ω .Min.
 Contact resistance: 30 m Ω .max.

Mechanical
 Temp. Range: -25 °C ~ + 85 °C

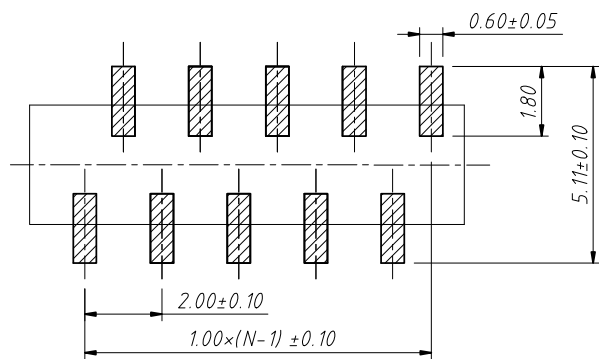
Accommodated FFC



Order Information

L-KLS1- 240 - XX - T-P-R

RoHS ———
 Series No. ———
 No. of pins(04 ~ 30 pins) ———
 T-SMT Pin , Vertical ———
 P-Positive needle ———
 Packing: T-Tube R-Reel ———



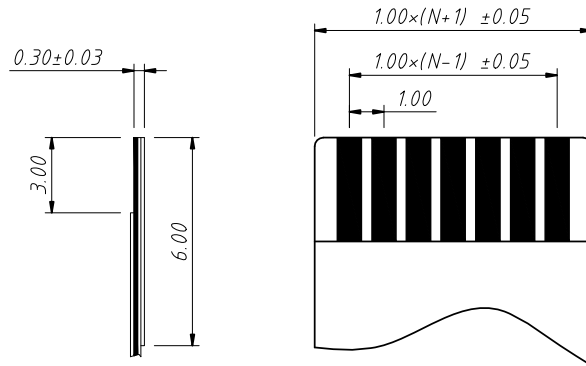
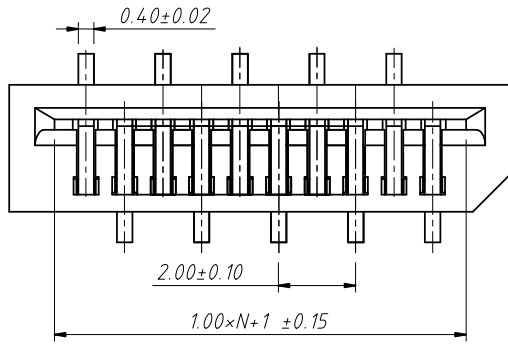
PCB LAYOUT
 Positive needle

GENERAL TOLERANCE	ANGLE TOLERANCE	PROJECTION	Description:
X. ±0.15	X. ±5°	UNITS	CONN FFC 1.00mm,
.X ±0.03	.X ±3°	SHEET SIZE	SMD Vertical, Positive needle
.XX ±0.05	.XX ±2°	KLS P/N:	L-KLS1-240-XX-T-P-R

Draw by: Date	2018-03-10
Check by: Date	2018-03-10
SCALE	SHEET OF

KLS NingBo KLS ELECTRONIC CO.,LTD.

RoHS Compliant

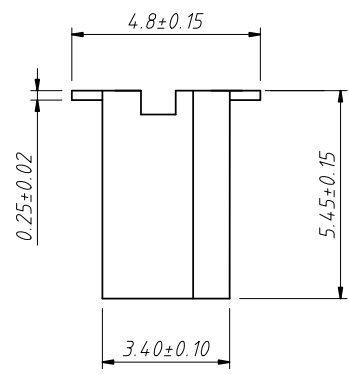
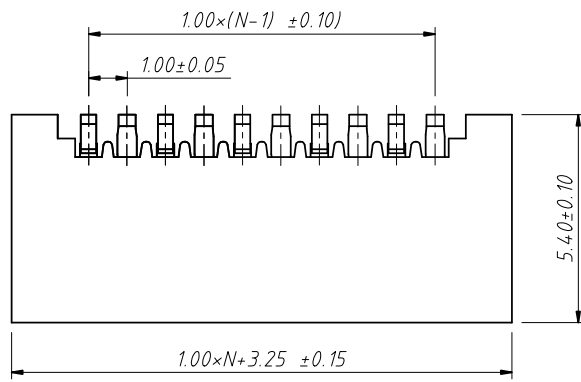


Material
 Housing: LCP UL94V-0
 Contact: Phosphor Bronze, Tin Plated

Electrical
 Voltage rating: 50 V
 Current rating: 0.5 A
 Withstand Voltage: 500 V
 Insulation resistance: 500MΩ.Min.
 Contact resistance: 30 mΩ.max.

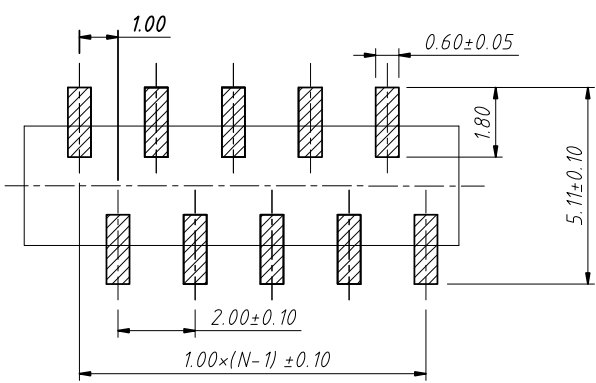
Mechanical
 Temp. Range: -25 °C ~ + 85 °C

Accommodated FFC



Order Information
 L-KLS1- 240 - XX - T-A-R

RoHS —
 Series No. —
 No. of pins(04 ~ 30 pins) —
 T-SMT Pin , Vertical —
 A-Anti-needle —
 Packing: T-Tube R-Reel —



PCB LAYOUT
 Anti-needle

GENERAL TOLERANCE	ANGLE TOLERANCE	PROJECTION	Description:
X. ±0.15	X. ±5°	UNITS	CONN FFC 1.00mm,
.X ±0.03	.X ±3°	SHEET SIZE	SMD Vertical,Anti-needle
.XX ±0.05	.XX ±2°	KLSP/N:	L-KLS1-240-XX-T-A-R

Draw by: Date	2018-03-10
Check by: Date	2018-03-10
SCALE	SHEET OF

KLS
 NingBo KLS ELECTRONIC CO.,LTD.